



Specifications

Electrical

Supply Voltage:
12VDC & 24VDC
24VAC, 120VAC & 240VAC
Frequency: 50/60Hz
Power Consumption: 2VA
Inputs: 5VDC @ 2mA

2-Input:

Seal: Adjustable 5KΩ to 200KΩ,
+5KΩ Hysteresis
Temp-Stat: 1NC Contact, Good condition

1-Input:

Resistance trip point fixed at 330Ω & 1,500Ω
Seal Fault: <330Ω
Temp-Stat Fault: >1,500Ω

Contact Ratings:

Seal: 1NO
Temp-Stat: SPDT
10A @ 120VAC, 25°C
5A @ 277VAC
1/8HP @ 120/277VAC
5A @ 30VDC

Adjustments: (4) Membrane Buttons
Display: 16 Character, 2-line display, with back light

Physical

Mounting: Panel Mounting: Through the door

Termination:

Terminals: Pluggable Terminal Blocks

Packaging: Panel Mount

Weight: 1 Pound

Ambient Temperatures

Operating:

Terminal Blocks: -40°C to 60°C
(Display and membrane buttons may not function below -20°C.)

Storage: -40°C to 85°C

Operation

The STRP monitors the seal and embedded temperature sensor on submersible pump motors. If the resistance in the seal area goes lower than the set point or the temp-stat opens, individual relay outputs will be energized, one for a seal failure and one for a temp-stat failure.

2-Input Operation

To monitor the seal for a leakage, low voltage is applied to the seal sensor. If the resistance sensed falls below the adjustable trip point, the seal fault output relay will be energized. High resistance is considered "good".

To monitor the temp-stat, low voltage is applied to the normally closed contact. If the contact opens, the temperature fault output relay will be energized. A normally closed input is considered "good."

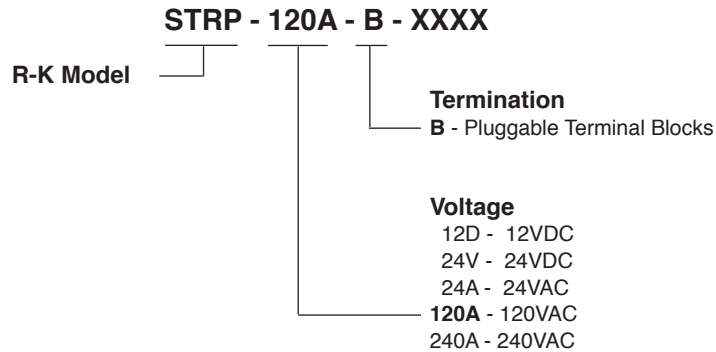
1-Input Operation

An alternate input option is also built into the STRP. With the 1-input option selected, if the resistance is between 330Ω and 1,500Ω, both the seal and temp-stat are considered "good". If the input resistance falls below 330Ω, a seal fault is indicated and the seal fault output relay will be energized. If the input resistance goes above 1,500Ω, a high temperature fault is indicated and the temperature fault output relay will be energized.

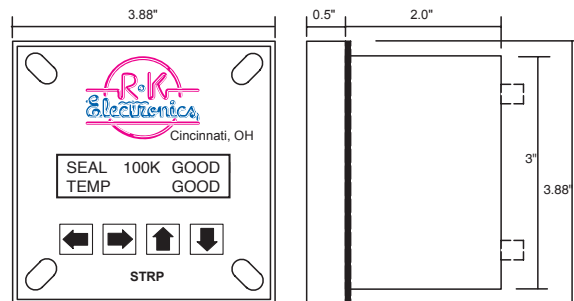
Adjustments are available to:

- Select 1-Input or 2-Input operation
- Select the resistance on the 2-input operation from 5KΩ to 200KΩ
- Select a Manual or Automatic reset after a fault has been corrected.

Ordering Information



Dimensions



Connections

